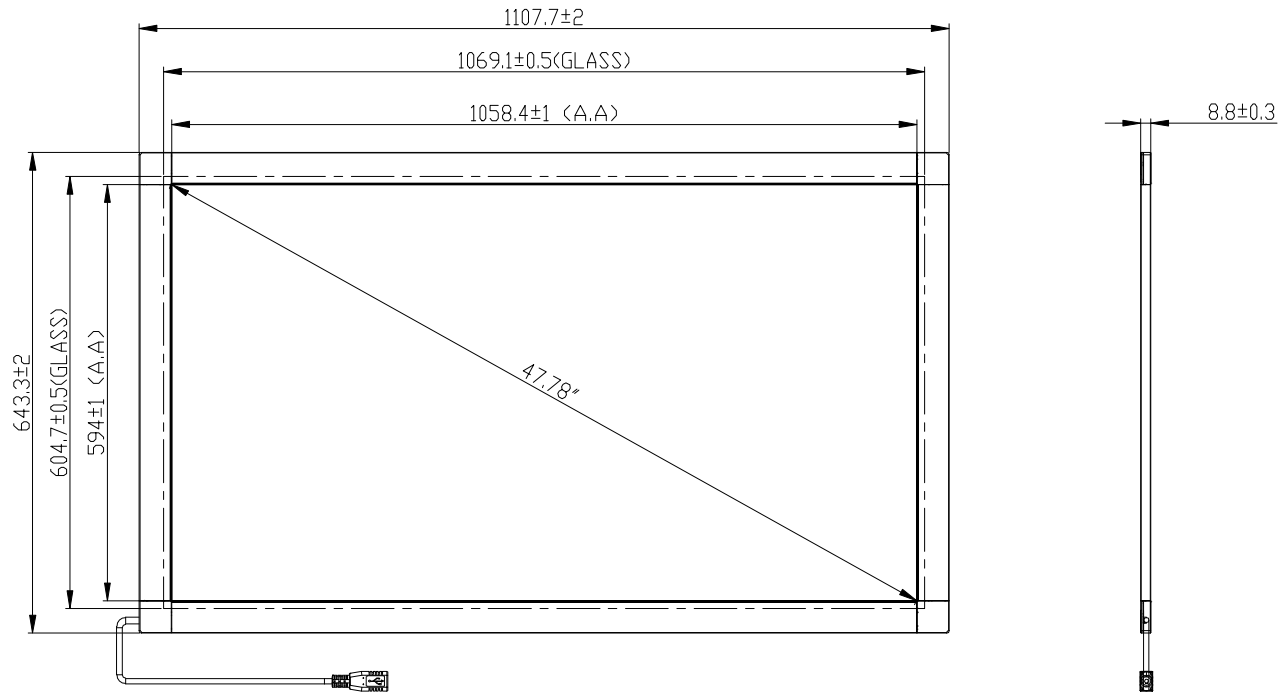


Rev.	design change reason	Date	Name
Ver 1.0	Release	2016/02/23	Damon



Technical Requirements:
 1. Dimensionless Units: mm;
 2. Accords with RoHS standard.

Tolerances		Pos.	Objet.	Material.	Mass.	Title.
6 - 300µ	±0.0	±0.0	Projection	Drawn.	Revised.	66S-47.78° PO Lab
30 - 300µ	±0.0	±0.0		Checked.	Stamps.	
30 - 300µ	±0.0	±0.0		Working Draw	25	
300 - 600	±0.0	±0.0	Part No.	Drawn.	Stamps.	
600 - 600	±0.0	±0.0	Angle	The information contained herein is confidential and proprietary, and any copying, redistribution or the information contained here to strictly prohibited without formal/written permission of PO Lab Inc.		