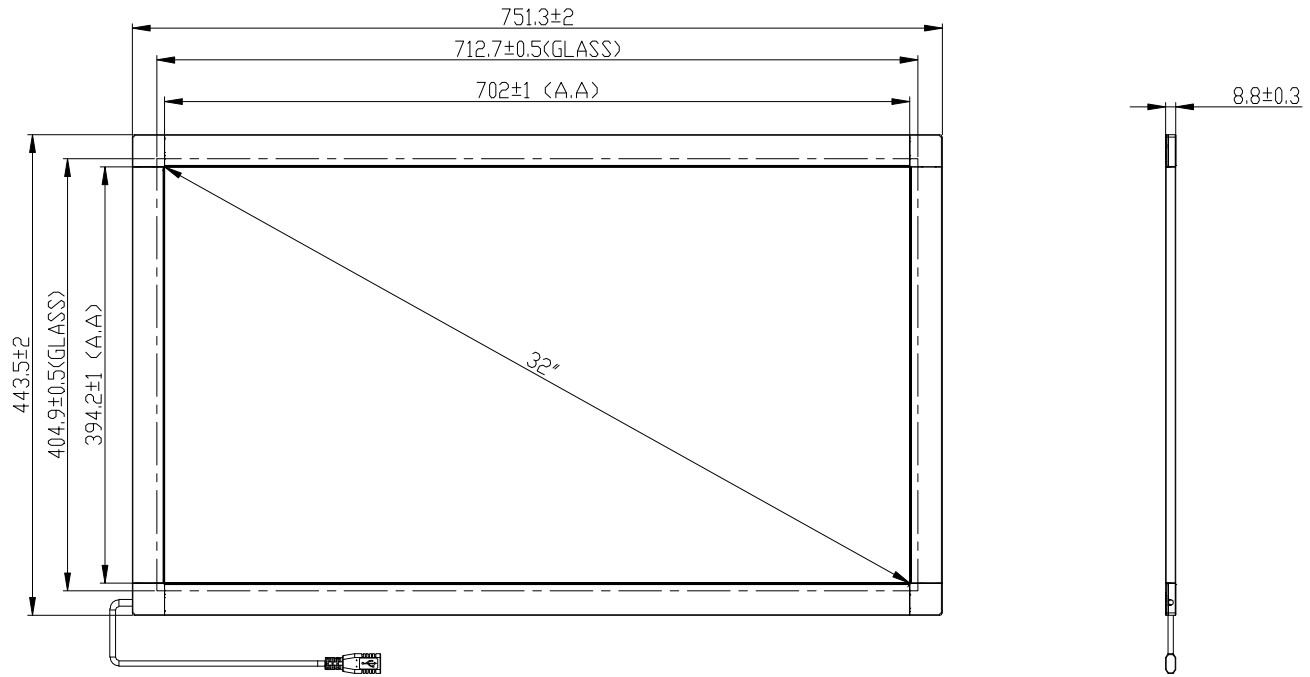


Rev.	design change reason	Date	Name
Ver 1.0	Release	2016/02/23	Damon



Technical Requirements:  
 1. Dimensionless Units: mm;  
 2. Accords with RoHS standard.

Tolerances		Pos.	Objet.	Material.	Spec.	Title
6 - 300µ	±0.0	±0.0	Obj.	Drawn.	Revised.	G6S-32'
10 - 300µ	±0.0	±0.0		Check.	Stain.	
10 - 300µ	±0.0	±0.0		Stamp Form	JS	
100 - 60	±0.0	±0.0	Part No.	Draw.	St. Date.	
Angle	1° - ±1.0°					

The information contained herein is confidential and proprietary, and any copying, redistribution or the information contained here to strictly prohibited without formal/written permission of PO Labs Inc.