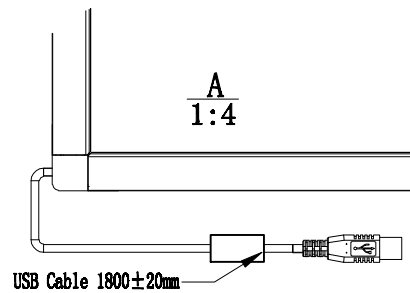
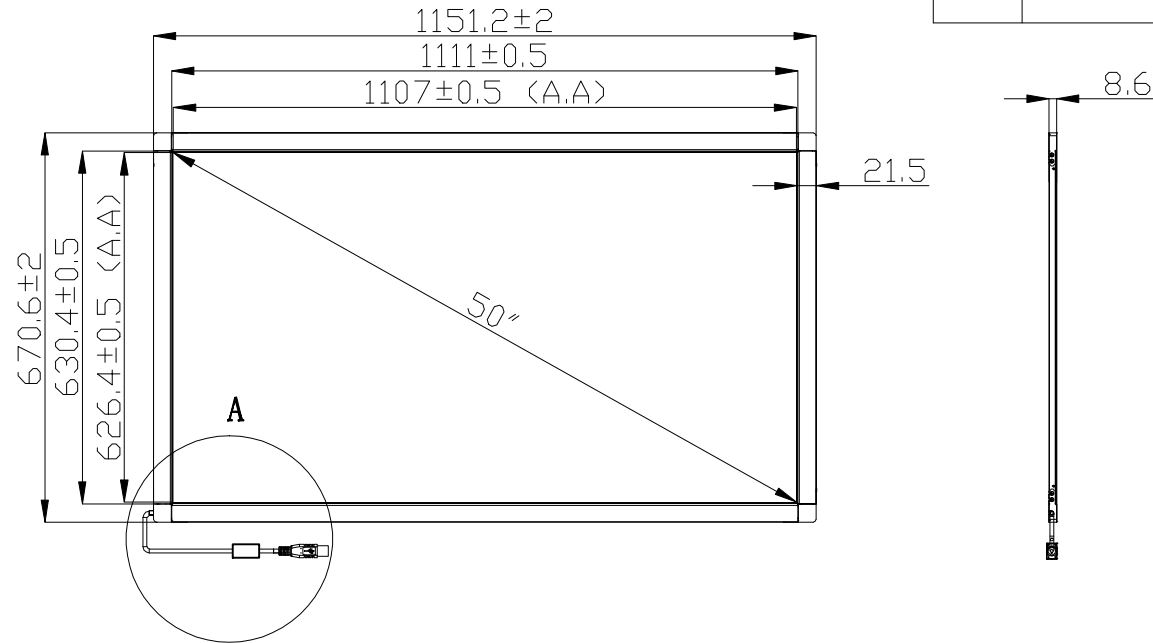


Rev.	design change reason	Date	Name
Ver 1.0	Release	2016/02/23	Damon



Technical Requirements:
 1. Dimensionless Units: mm;
 2. Accords with RoHS standard.

Tolerances		Pos.	Object	Material	Mass	Title	
0 - 100mm	±0.3	Grade B	Projection	Drawn	Remarks	G6 Kit-50"	
10 - 100mm	±0.3	Grade B		Check	Scale		
50 - 100mm	±0.3	Grade B		Drawing from	AS		Dwg. Nr.
100 - 100mm	±0.3	Grade B	Part No.	Type	Date	Nr./sheet.	
The information contained herein is confidential and proprietary, and any copying/redistribution of the information contained here is strictly prohibited without formal/written permission of PQ Labs Inc.							
Angle	1°	±0.2°					