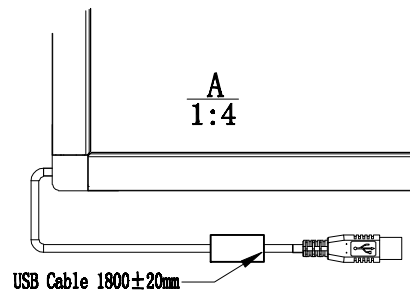
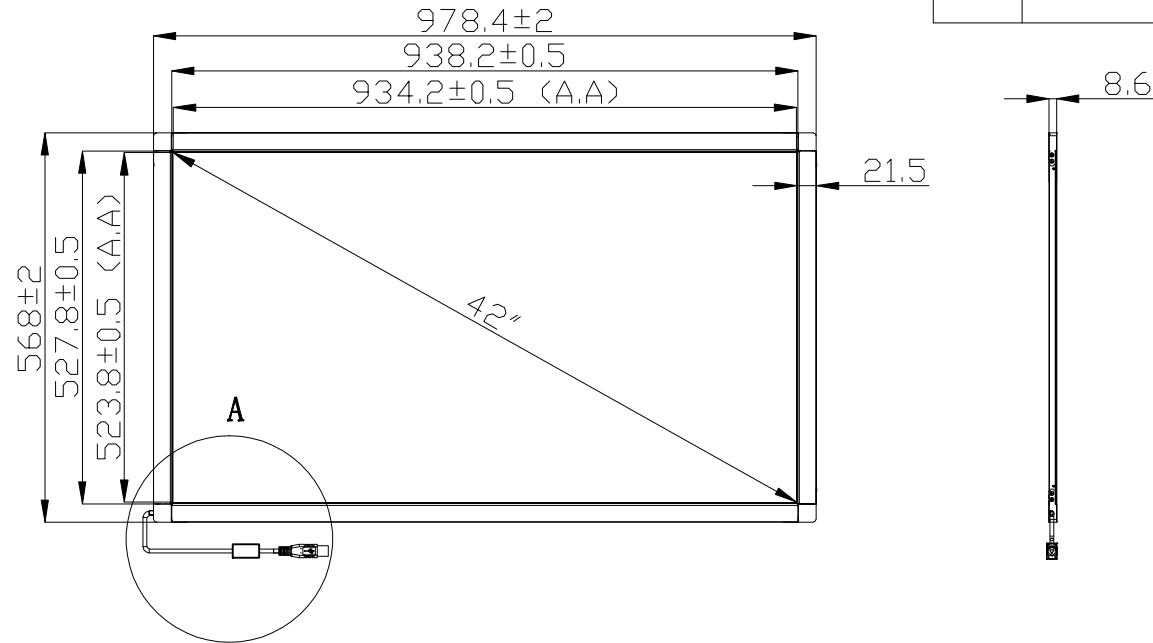


Rev.	design change reason	Date	Name
Ver 1.0	Release	2016/02/23	Damon



Technical Requirements:
 1. Dimensionless Units: mm;
 2. Accords with RoHS standard.

Tolerances		Pos.	Object	Material	Mass	Title
0 - 100µm	1.0.3	1.0.1	Projection	Drawn	Remarks	G6 Kit-42"
10 - 100µm	1.0.6	1.0.1		Check	Scale	
50 - 100µm	1.1.0	1.1.1	Part No.	Drawing from	AS	Dwg. Nr.
100 - 600	1.2.0	1.2.0		Type	Date	
Angle	1° - ±2°		The information contained herein is confidential and proprietary, and any copying redistribution of the information contained here is strictly prohibited without formal/written permission of PQ Labs Inc.			

PQ Labs