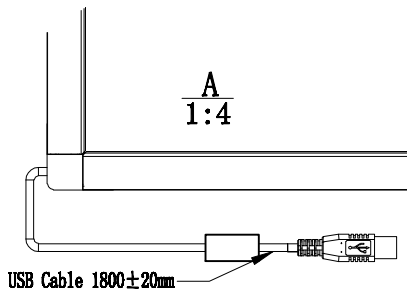
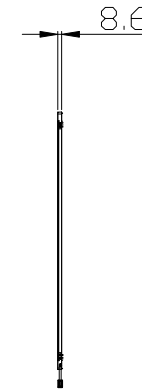
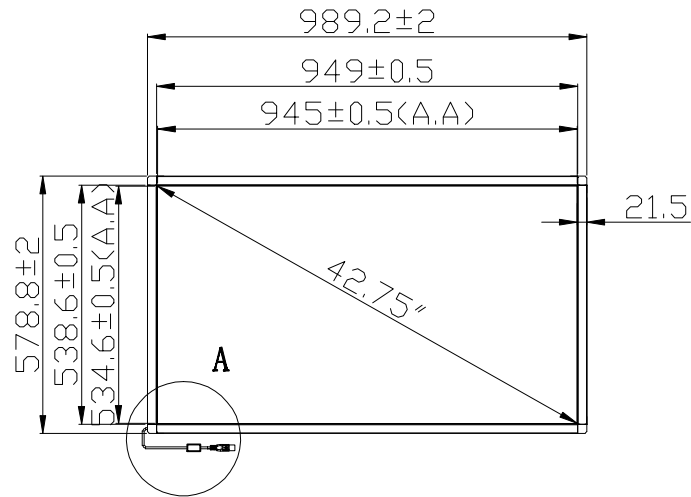


Rev.	design change reason	Date	Name
Ver 1.0	Release	2017/07/04	Damon



**Technical Requirements:**  
 1. Dimensionless Units: mm;  
 2. Accords with RoHS standard.

Tolerances		Pos.	Object	Material	Mass	Title
0 - 100µm	12.5	12.5	Projection	Drawn	Remarks	66 Kit-42.75"
10 - 500µm	12.5	12.5		Check	Scale	
50 - 1000µm	12.5	12.5	Part No.	Drawing from	AS	Dwg. Nr.
100 - 6mm	12.5	12.5		Type	Date	
Angle	1°	±2°	The information contained herein is confidential and proprietary, and any copying/redistribution of the information contained here is strictly prohibited without formal/written permission of PQ Labs Inc.			

