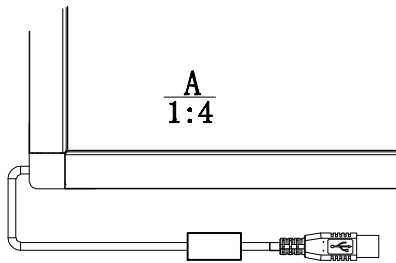
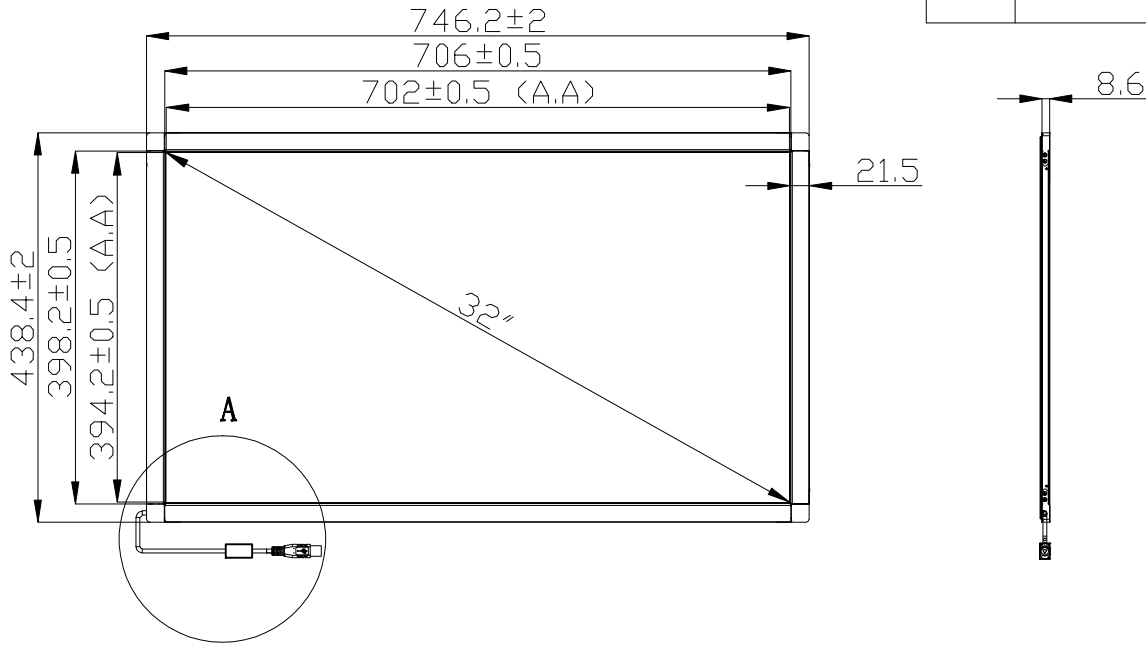


Rev.	design change reason	Date	Name
Ver 1.0	Release	2016/02/23	Damon



Technical Requirements:
 1. Dimensionless Units: mm;
 2. Accords with RoHS standard.

Tolerances		Pos.	Object	Material	Mass	Title
0 - 100µm	1.0.0	1.0.0	Projection	Drawn	Remarks	G6-32" Assembly
10 - 100µm	1.0.0	1.0.0		Check	Scale	
50 - 100µm	1.1.0	1.1.0	Part No.	Drawing from	AS	Dwg. Nr.
100 - 600µm	1.2.0	1.2.0		Type	Date	
Angle	1° ±0.2°		The information contained herein is confidential and proprietary, and any copying/redistribution of the information contained here is strictly prohibited without formal/written permission of PQ Labs Inc.			

