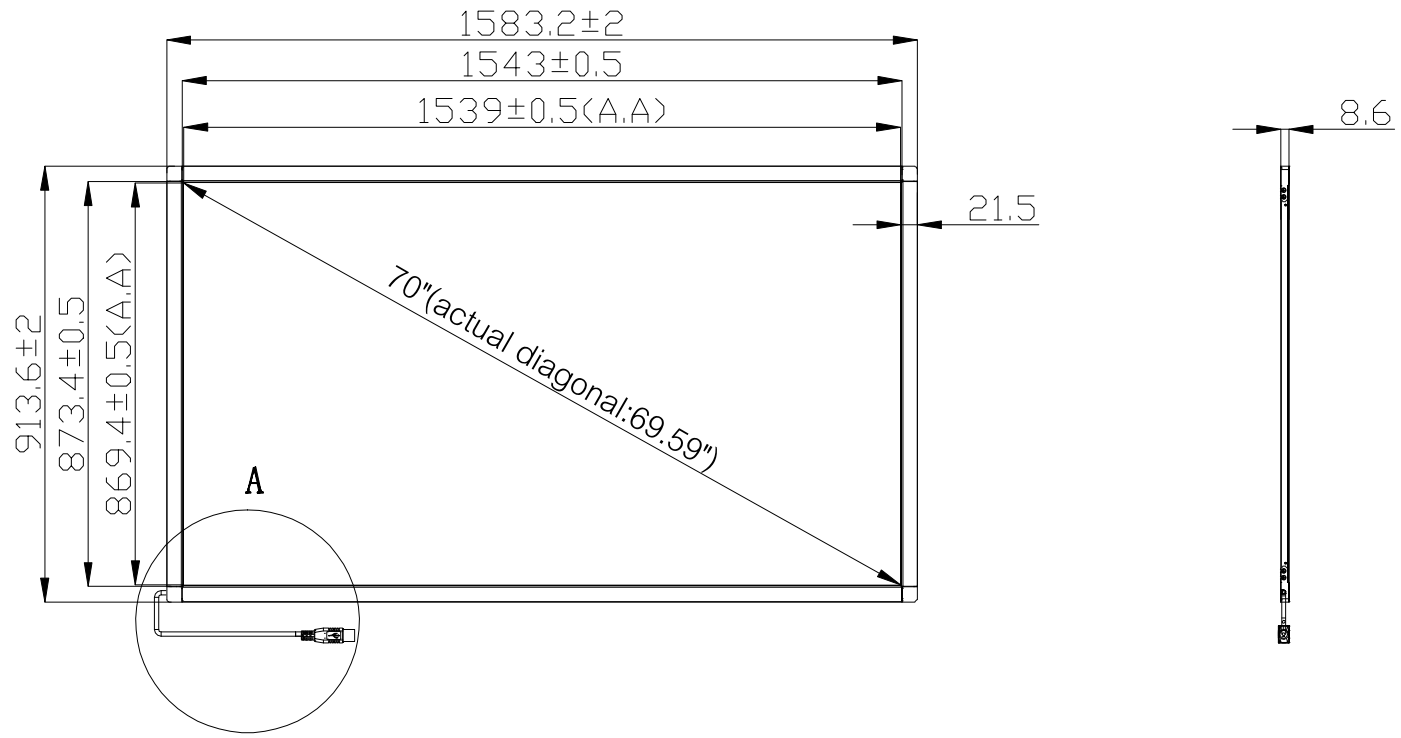
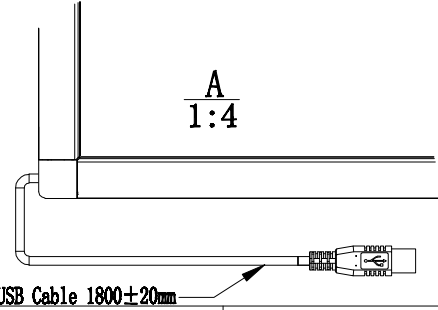


Rev.	design change reason	Date	Name
Ver 1.0	Release	2015/01/08	Damon



Technical Requirements:
 1. Dimensionless Units: mm;
 2. Accords with RoHS standard.



Tolerances	Pos.	Object	Material	Mass	Title
Grade A / Grade B	Qty.	Projection	Drawn	Remarks	G5 Kit-69.59"
0 ~ 10(mm) ± 0.5 ± 0.5	Part No.	Type	Check	Scale	
10 ~ 50(mm) ± 0.5 ± 0.5			Drawing frame	A3	Dwg. Nr.
50 ~ 100(mm) ± 1.0 ± 1.0	Date	Nr./sheet.			
100 ~ 600(mm) ± 2.0 ± 2.0	The information contained herein is confidential and proprietary, and any copying redistribution of the information contained here is strictly prohibited without formal/written permission of PQ Labs Inc				
Angle $1^\circ \sim \pm 2^\circ$					