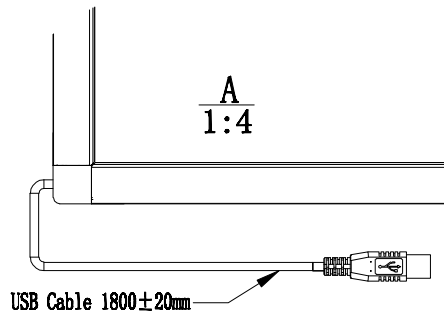
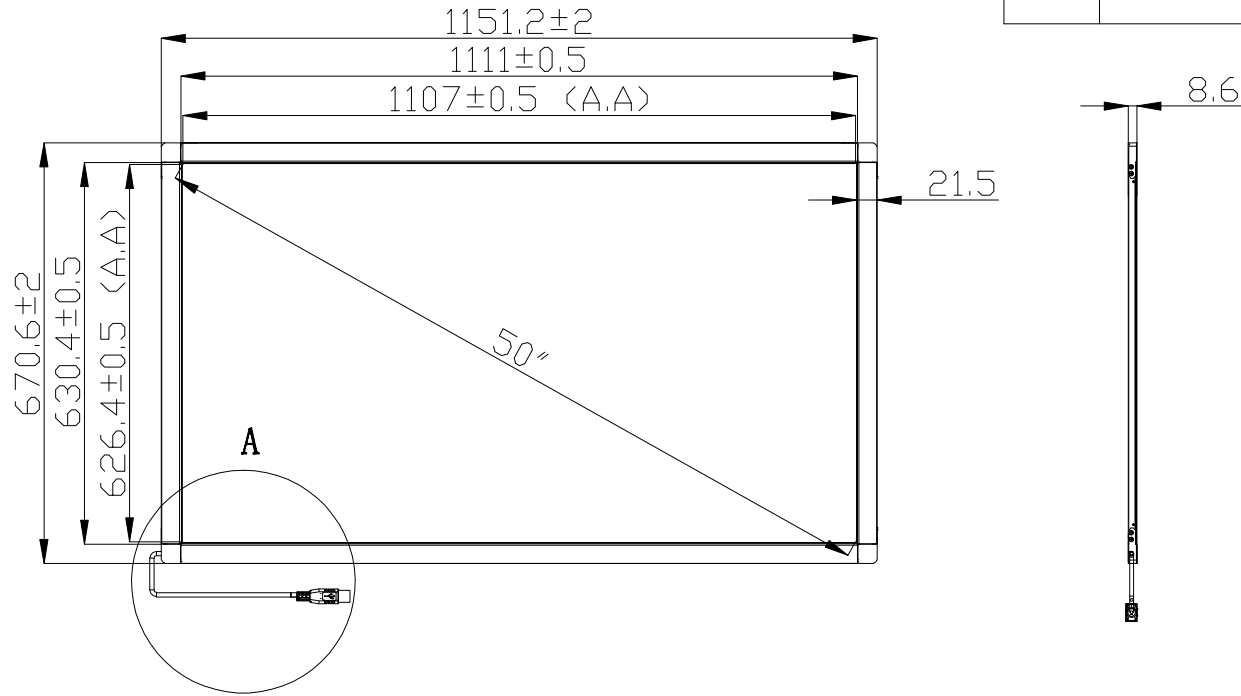


| Rev. | design change reason | Date | Name |
|---------|----------------------|------------|-------|
| Ver 1.0 | Release | 2015/01/08 | Damon |
| | | | |
| | | | |



Technical Requirements:
 1. Dimensionless Units: mm;
 2. Accords with RoHS standard.

| Tolerances | Pos. | Object | Material | Mass | Title |
|-----------------|-----------|--|---------------|------------|----------------|
| Grade A Grade B | | Projection | Drawn | Remarks | G5 Kit-50" |
| 0 ~ 10(mm) | ±0.3 ±0.3 | Qty. | Check | Scale | |
| 10 ~ 30(mm) | ±0.5 ±0.5 | Part No. | Drawing frame | AS | Dwg. Nr. |
| 30 ~ 100(mm) | ±1.0 ±1.5 | | Date | Nr./sheet. | PQ Labs |
| 100 ~ (mm) | ±2.0 ±3.0 | The information contained herein is confidential and proprietary, and any copying redistribution of the information contained here is strictly prohibited without formal/written permission of PQ Labs Inc | | | |
| Angle | 1° ~ ±2° | | | | |