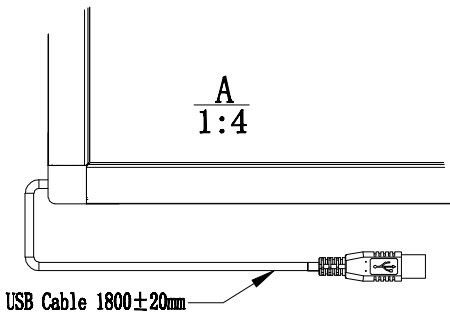
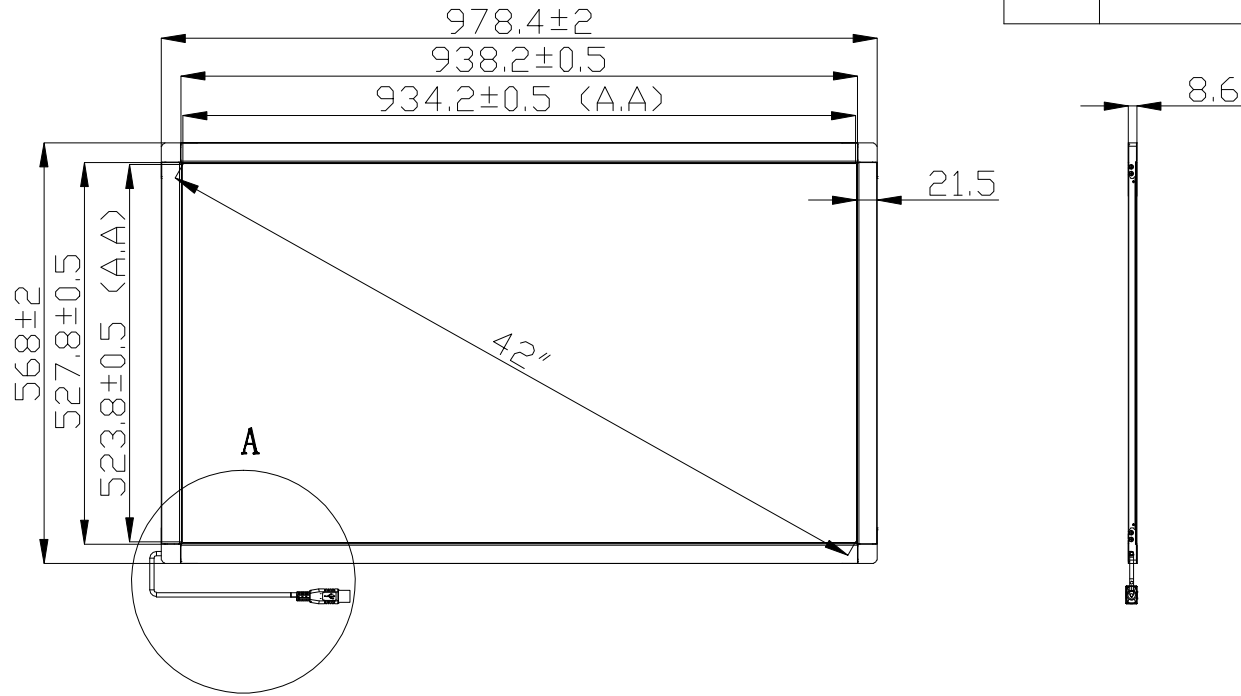


Rev.	design change reason	Date	Name
Ver 1.0	Release	2015/01/08	Damon



Technical Requirements:
 1. Dimensionless Units: mm;
 2. Accords with RoHS standard.

Tolerances	Pos.	Object	Material	Mass	Title
Grade A Grade B	Qty.	Projection	Drawn	Remarks	G5-42" Assembly
0 ~ 10(mm) ±0.5 ±0.5		Check	Scale		
10 ~ 30(mm) ±0.5 ±0.5		Drawing frame	A3		
30 ~ 100(mm) ±1.0 ±1.5	Part No.	Type	Date	Nr./sheet.	
100 ~ (mm) ±2.0 ±3.0	The information contained herein is confidential and proprietary, and any copying redistribution of the information contained here is strictly prohibited without formal/written permission of PQ Labs Inc				
Angle	1° ±2°				