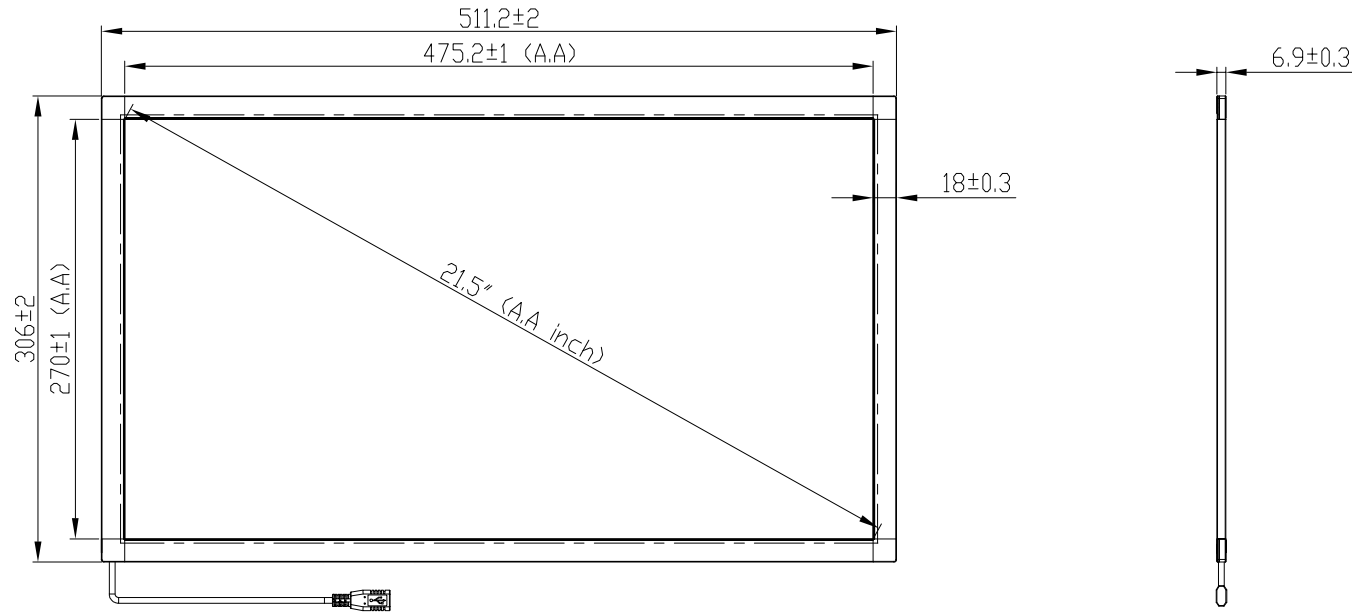


Rev.	design change reason	Date	Name
Ver 1.0	Release	2012/11/26	Nancy



Technical Requirements:

1. Dimensionless Units: mm;
2. Accords with RoHS standard.

Tolerances			Pos.	Object	Material	Mass	Title
	Grade A	Grade B		Projection	Drawn	Remarks	G4S-21.5" Assembly
0 ~ 10 (mm)	±0.3	±0.5	Qty.		Check	Scale	
10 ~ 50 (mm)	±0.5	±0.8	Part No.		Drawing frame	A3	Dwg. Nr.
50 ~ 100 (mm)	±0.8	±1.0	Type	Date	Nr./sheet.		
100 ~ (mm)	±1.0	±1.5	The information contained herein is confidential and proprietary, and any copying redistribution of the information contained here is strictly prohibited without formal/written permission of PQ Labs Inc.				
Angle	X° = ±0.2°						