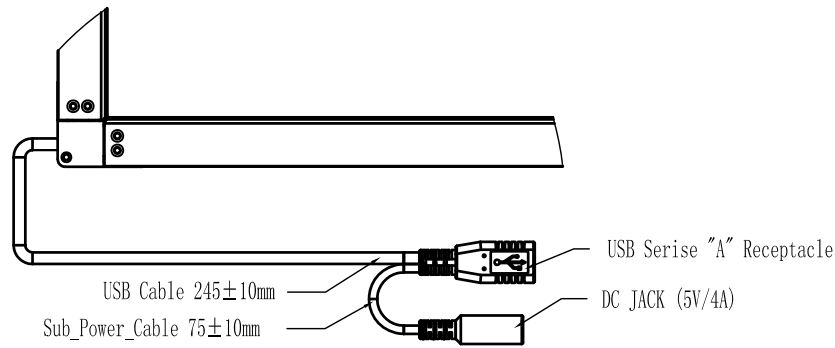
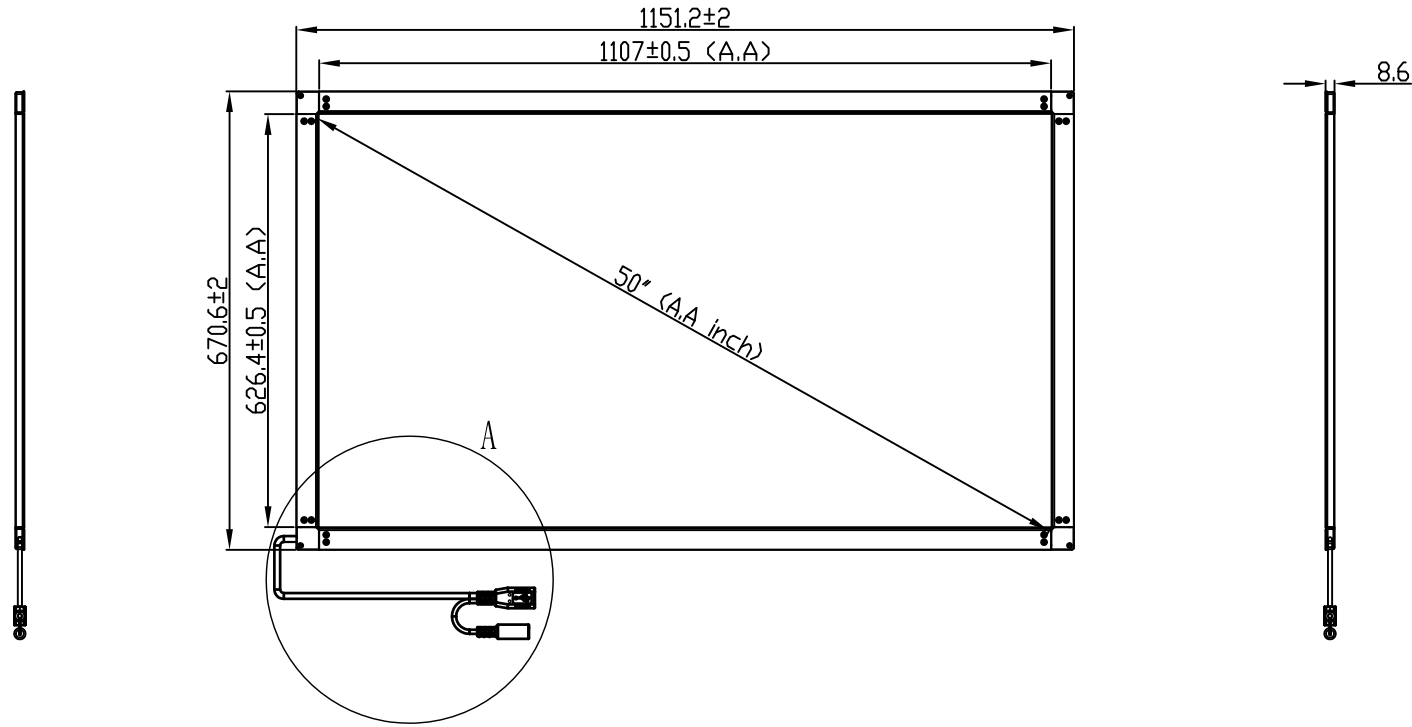


Rev.	design change reason	Date	Name
Ver 1.0	Release	2013/08/29	Nancy



Technical Requirements:
 1. Dimensionless Units: mm;
 2. Accords with RoHS standard.

Tolerances	Pos.	Object	Material	Mass	Title
Grade A	Grade B	Projection	Drawn	Remarks	G4 Kit V2-50" Assembly
0 ~ 10 (mm)	±0.3		Check	Scale	
10 ~ 50 (mm)	±0.5	Type	Dwg. Nr.	Dwg. Nr.	PQ Labs
50 ~ 100 (mm)	±1.0		Date	Nr./sheet.	
100 ~ (mm)	±3.0	The information contained herein is confidential and proprietary, and any copying redistribution of the information contained here is strictly prohibited without formal/written permission of PQ Labs Inc.			
Angle	X° ±0.5°				