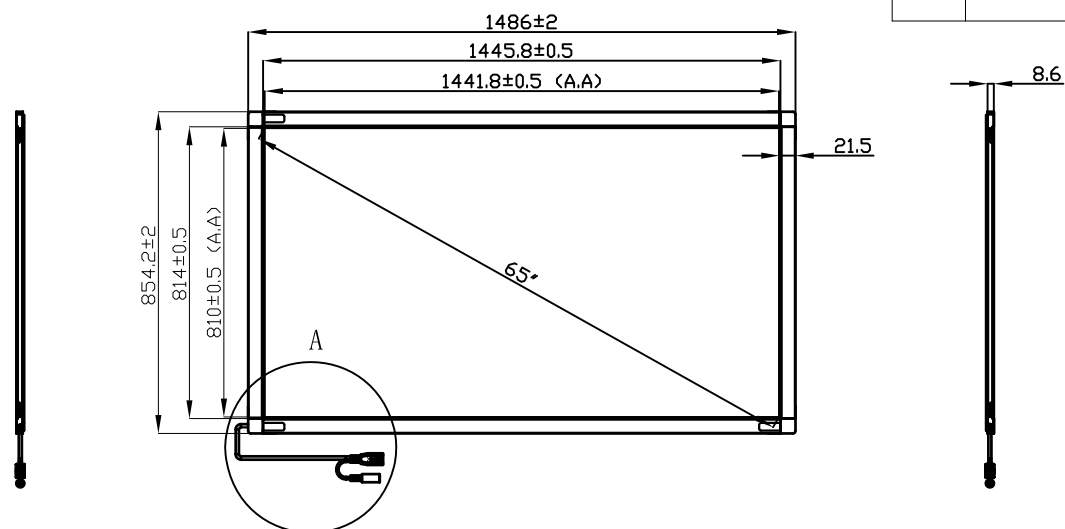
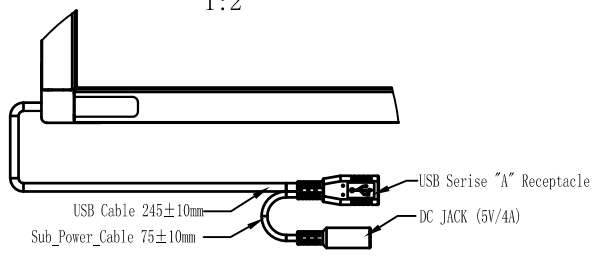


Rev.	design change reason	Date	Name
Ver 1.0	Release	2012/11/21	Nancy



A
1:2



Technical Requirements:
 1. Dimensionless Units: mm;
 2. Accords with RoHS standard.

Tolerances	Pos.	Object	Material	Mass	title
0-30mm	±0.2	Projection	Drawn	Remarks	G4L-65° Assembly
30-50mm	±0.3		Qty.	Scale	
50-100mm	±0.5	Part No.	Checked	Draw. Nr.	PQ Labs
100-300mm	±1.0		Type	Date	
300-600mm	±1.5	The information contained herein is confidential and proprietary, and any copying redistribution of the information contained here is strictly prohibited without formal/written permission of PQ Labs Inc.			
600-1000mm	±2.0				
1000mm and over	±3.0				