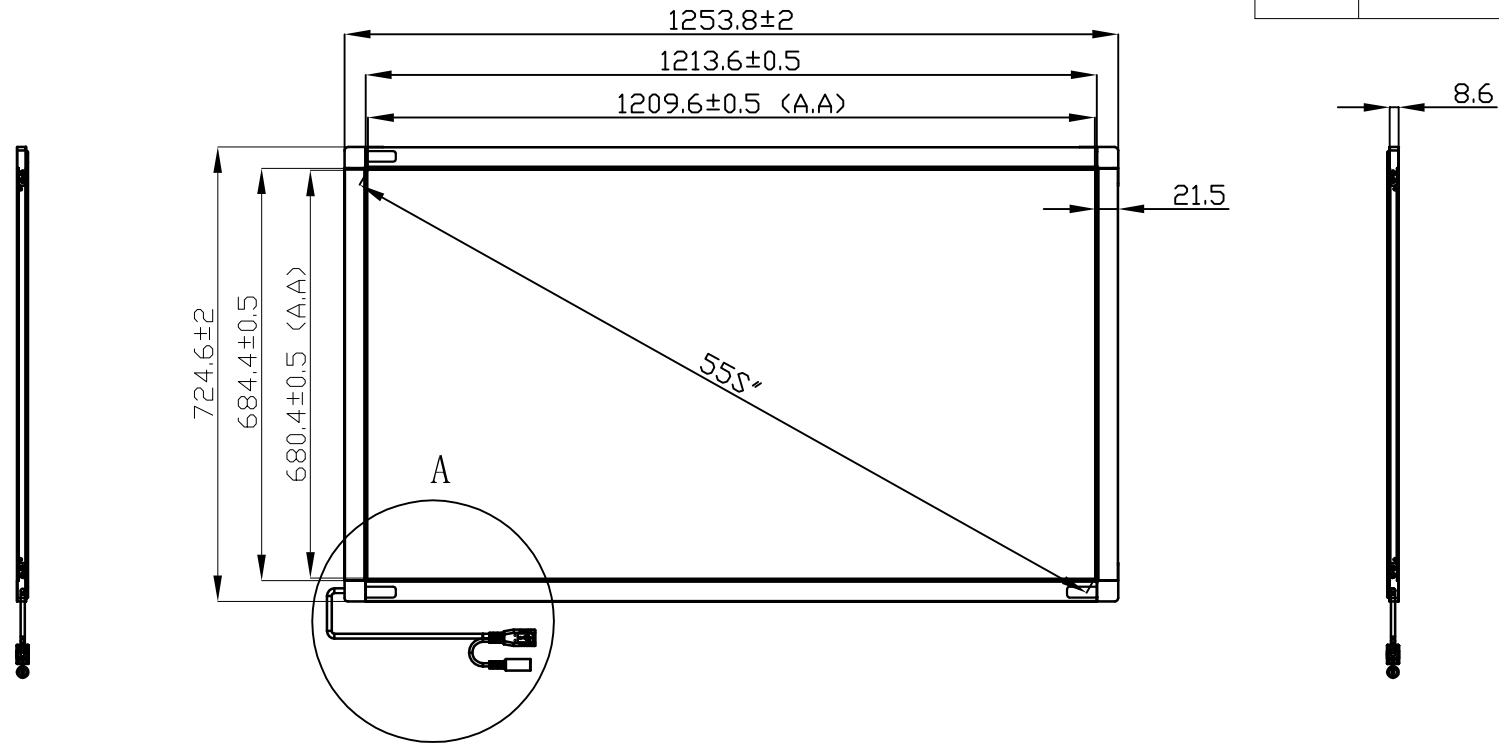
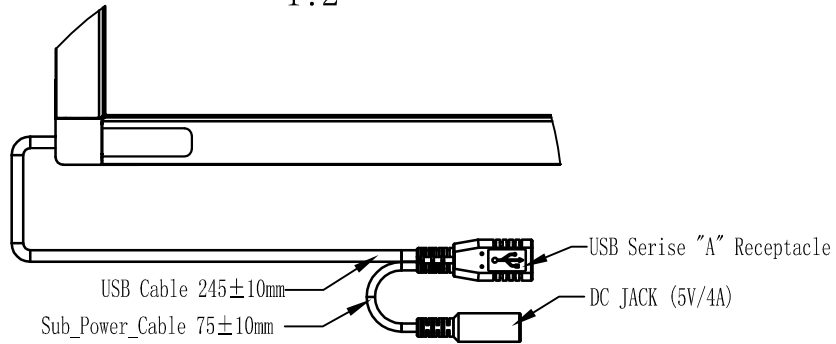


Rev.	design change reason	Date	Name
Ver 1.0	Release	2012/11/21	Nancy



A
1:2



Technical Requirements:
 1. Dimensionless Units: mm;
 2. Accords with RoHS standard.

Tolerances		Pos.	Object	Material	Mass	Title
0 ~ 10 (mm)	±0.3	±0.5	Projection 	Drawn	Remarks	G4L-55S Assembly
10 ~ 50 (mm)	±0.5	±0.8		Check	Scale	
50 ~ 100 (mm)	±1.0	±1.5	Part No.	Drawing frame	A3	Dwg. Nr.
100 ~ (mm)	±2.0	±3.0		Date	Nr./sheet.	
Angle	X° = ±2°		Type	Date	Nr./sheet.	

This drawing and information here in is the property of PQ Labs, Inc. and is to be used in confidence. It shall not be copied or given to any third party without written permission from PQ Labs, Inc.