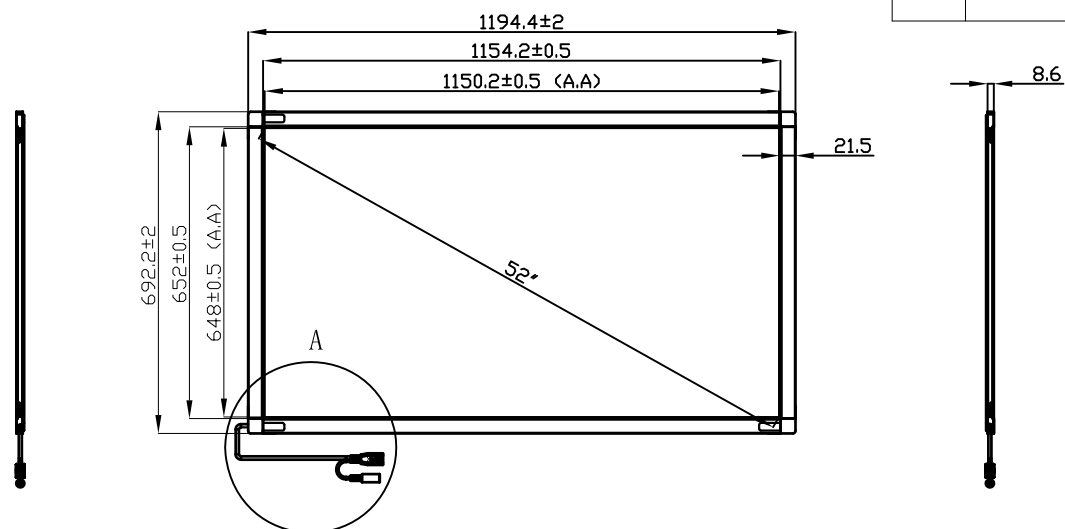
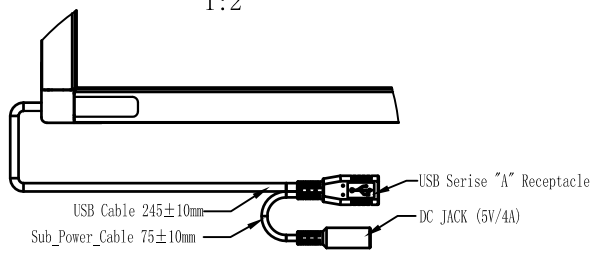


Rev.	design change reason	Date	Name
Ver 1.0	Release	2012/11/21	Nancy



A
1:2



Technical Requirements:
 1. Dimensionless Units: mm;
 2. Accords with RoHS standard.

Tolerances	Pos.	Object	Material	Mass	title
0-10mm	±0.1	Projection	Drawn	Remarks	G4L-52° Assembly
10-50mm	±0.2		Qty.	Scale	
50-100mm	±0.3	Part No.	Checked	Draw. Nr.	PG Labs
100-1000	±0.5		Type	Date	
1000-10000	±1.0	The information contained herein is confidential and proprietary, and any copying redistribution of the information contained here is strictly prohibited without formal/written permission of PG Labs Inc.			
10000-100000	±2.0				