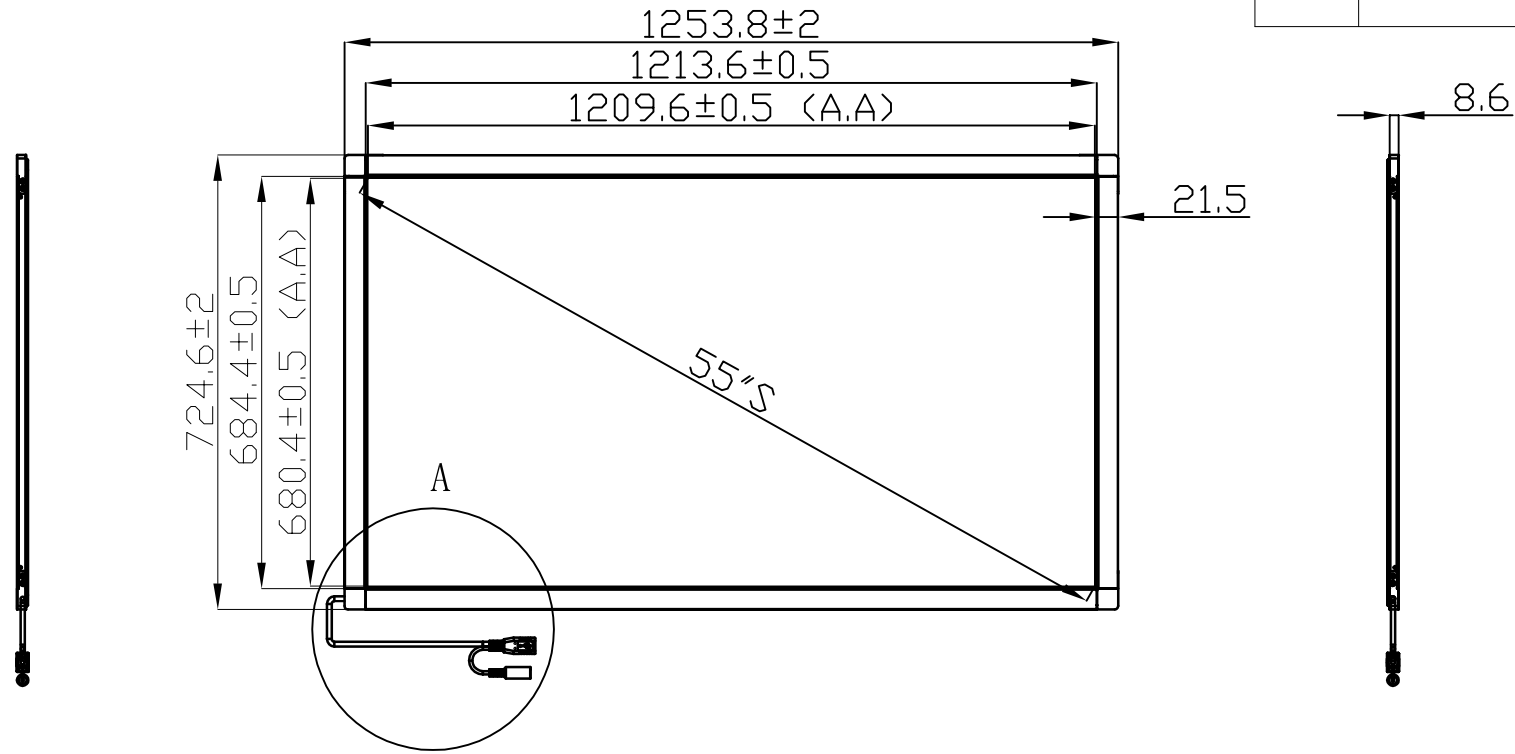
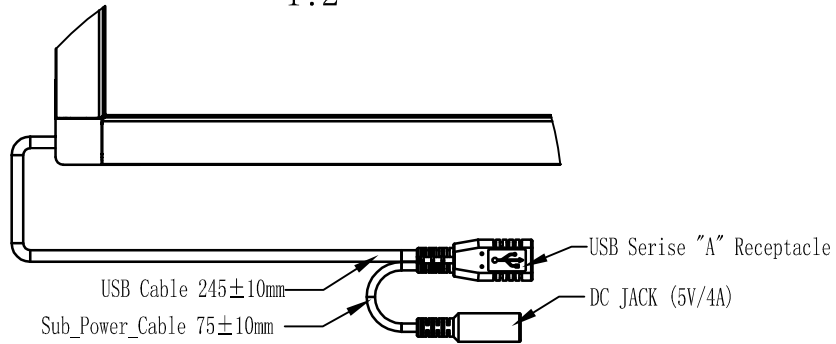


Rev.	design change reason	Date	Name
Ver 1.0	Release	2012/09/12	Nancy



$\frac{A}{1:2}$



Technical Requirements:
 1. Dimensionless Units: mm;
 2. Accords with RoHS standard.

Tolerances		Pos.	Object	Material	Mass	Title	
0 ~ 10 (mm)	Grade A: ± 0.3 Grade B: ± 0.5	Qty.	Projection 	Drawn	Remarks	G4-55'S Assembly	
10 ~ 50 (mm)	± 0.5			Check	Scale		
50 ~ 100 (mm)	± 1.0	Part No.	Type	Drawing frame	A3	Dwg. Nr.	
100 ~ (mm)	± 2.0			Date	Nr./sheet.		
Angle	$X^\circ \pm 2^\circ$	The information contained herein is confidential and proprietary, and any copying redistribution of the information contained here is strictly prohibited without formal/written permission of PQ Labs Inc					