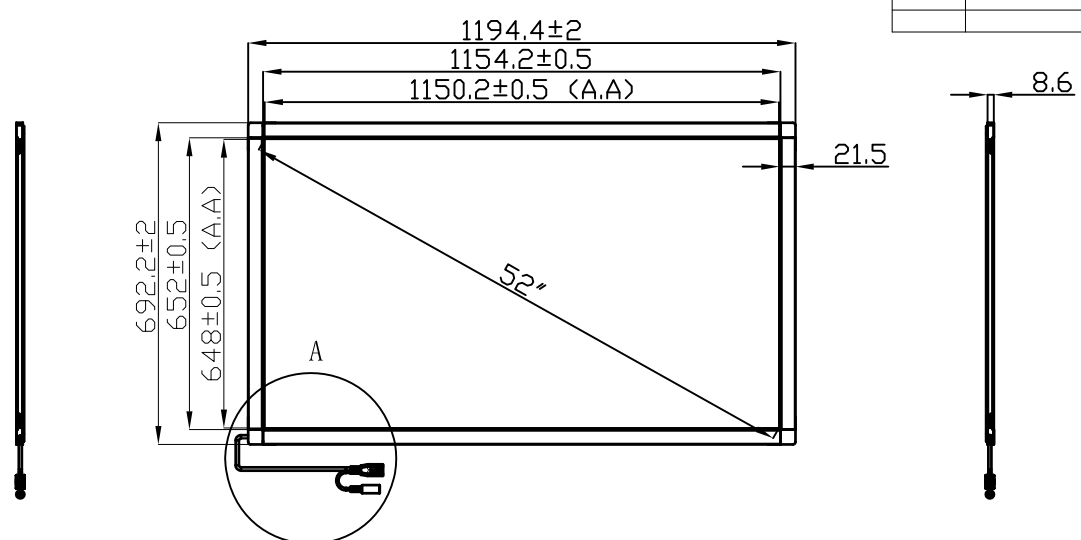
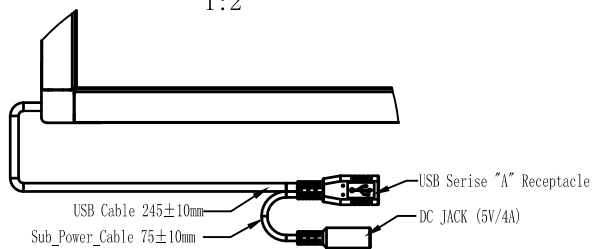


Rev.	design change reason	Date	Name
Ver 1.0	Release	2012/09/05	Nancy



A
1:2



Technical Requirements:
 1. Dimensionless Units: mm;
 2. Accords with RoHS standard.

Tolerances	Pos.	Object	Material	Mass	title
0-10mm	±0.05	Projection	Drawn	Remarks	G4-52" Assembly
10-50mm	±0.07		Qty.	Scale	
50-100mm	±0.1	Part No.	Checked	Dwg. Nr.	PQ Labs
100-150mm	±0.15		Type	Date	
150-200mm	±0.2	The information contained herein is confidential and proprietary, and any copying redistribution of the information contained here is strictly prohibited without formal/written permission of PQ Labs Inc.			
200-300mm	±0.3				
300-400mm	±0.4				
400-500mm	±0.5				
500-600mm	±0.6				
600-700mm	±0.7				
700-800mm	±0.8				
800-900mm	±0.9				
900-1000mm	±1.0				