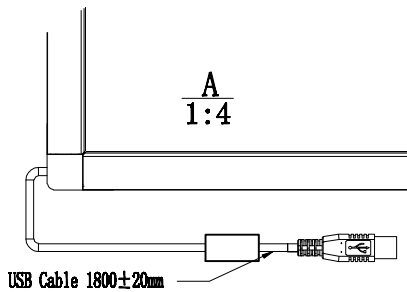
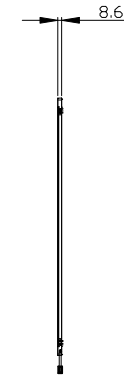
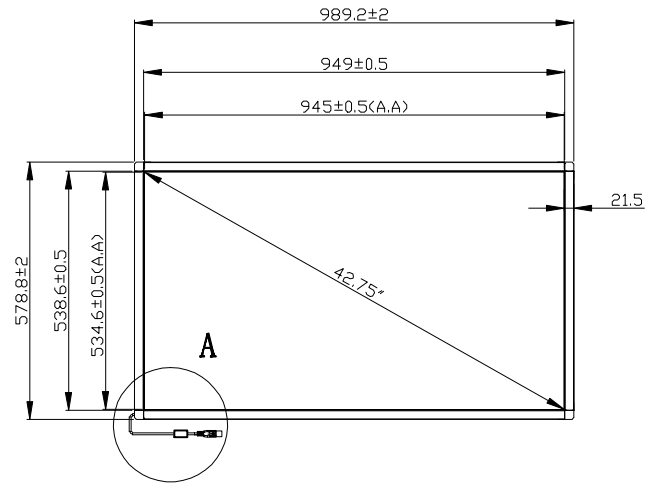


Rev.	design change reason	Date	Name
Ver 1.0	Release	2017/07/04	Damon



Technical Requirements:
 1. Dimensionless Units: mm;
 2. Accords with RoHS standard.

Tolerances	Pos.	Object	Material	Mass	Title
0 - 100µm	Grade A / Grade B	Projection	Drawn	Remarks	G4-02.15' Assembly
10 - 99µm	Qty.		Check	Scale	
50 - 100µm	Part No.		Drawing from	AS	
100 - 60µm	Angle	Type	Date	Nr./sheet.	

The information contained herein is confidential and proprietary, and any copying/redistribution of the information contained here is strictly prohibited without formal/written permission of PQ Labs Inc.

