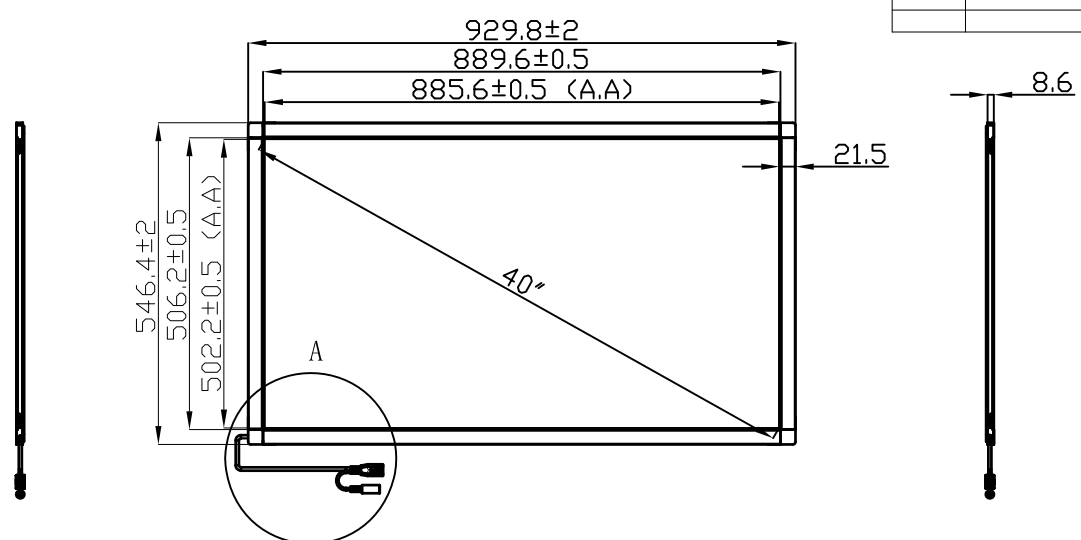
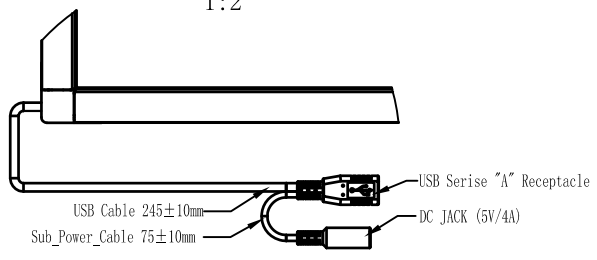


Rev.	design change reason	Date	Name
Ver 1.0	Release	2012/09/05	Nancy



A
1:2



Technical Requirements:
 1. Dimensionless Units: mm;
 2. Accords with RoHS standard.

Tolerances	Pos.	Object	Material	Mass	title	
0-30mm	±0.05	Projection	Drawn	Remarks	G4-40" Assembly	
30-50mm	±0.07		Qty.	Check		Scale
50-100mm	±0.1		Part No.	Brass/Frame		Dwg. Nr.
100-300mm	±0.15		Type	Date		Nr./Sheet.
300-500mm	±0.2		The information contained herein is confidential and proprietary, and any copying/redistribution of the information contained here is strictly prohibited without formal/written permission of PQ Labs Inc.			
500mm	±0.25					

