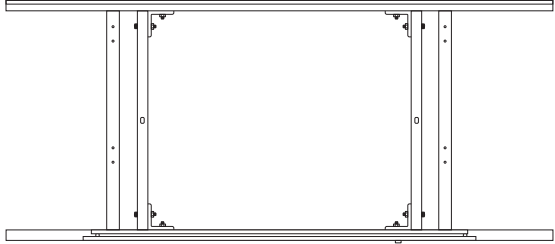


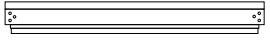
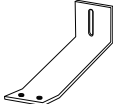



# Table Conversion Kit (55 Inch)


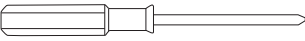
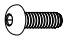



## User Manual

### 1 Packing List

#### Main Components

 <p>Base Frame ×1</p>	 <p>Legs ×4</p>
 <p>Computer Tray ×1</p>	 <p>Short Rail ×2</p>
 <p>Bridge Connector ×2</p>	 <p>Tag ×3</p>

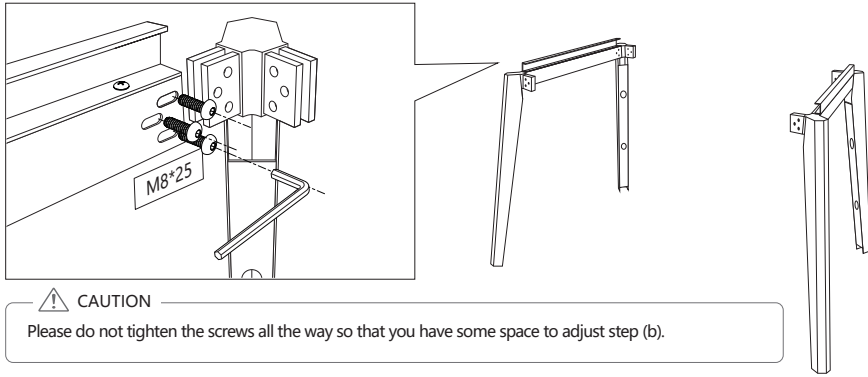
#### Screws Accessories

 <p>Hex key ×1</p>	 <p>Cross screwdriver ×1</p>
 <p>M8*25 Screws ×24</p>	 <p>M6*60 Screws ×4</p>
 <p>M6*35 Screws ×2 Screw nut ×2</p>	 <p>M4*8 Screws ×12</p>

## 2.1 Installation Procedure

**PQ Labs**

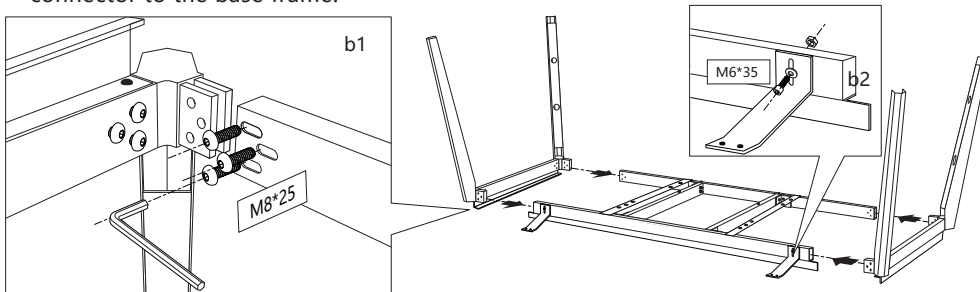
a. Assemble legs & short rails;



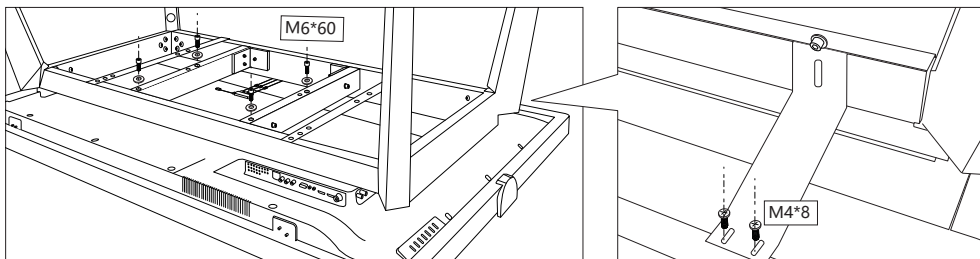
**CAUTION**

Please do not tighten the screws all the way so that you have some space to adjust step (b).

b. Plug the leg connector into the table fixture as shown below, and install the bridge connector to the base frame.



c. Place Touch Display back side up onto a work bench, Please install the full base frame to the VESA screw holes of the display with M6\*60 screws; install the bridge connector from the full base frame to the back bracket of the display. Tighten all screws at each corner.

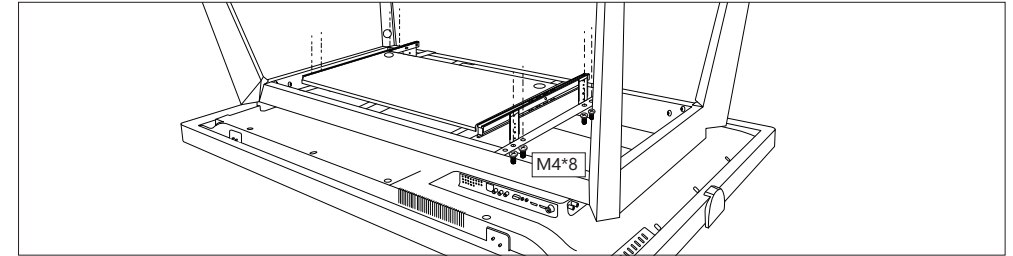


**CAUTION**

Please put some foam onto the work bench before placing the display to prevent screen scratches.

d. Install the computer tray.

Please detach the computer firstly if you already installed the computer to your display.  
The computer tray is compatible with Intel NUC PC and most laptops.

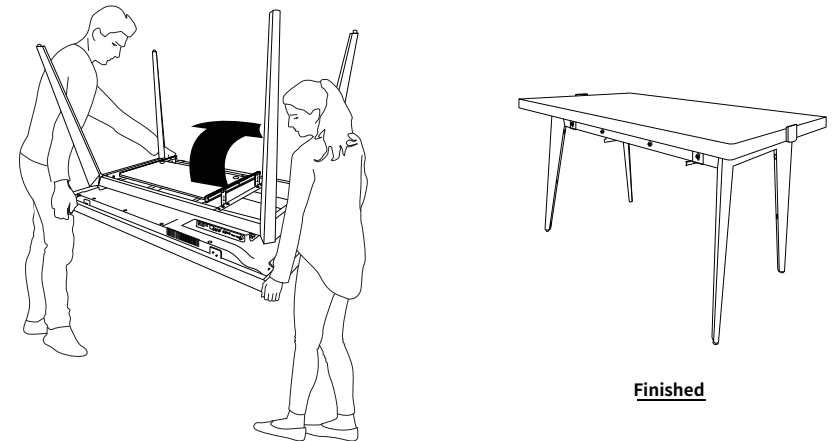


## 2.2 Assembly Finished

**PQ Labs**

**CAUTION**

At least 2 people are required to flip the touch table back.



**Finished**