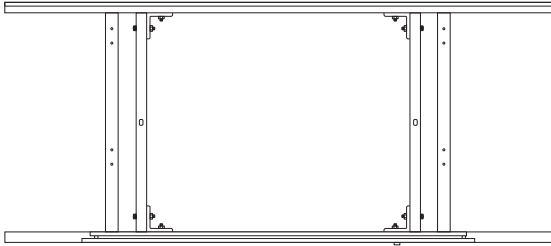

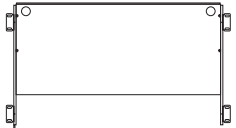
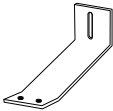
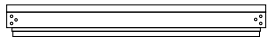



Table Conversion Kit (55 Inch)


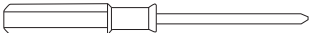
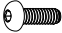




User Manual

1 Packing List

Main Components

 <p>Base Frame ×1</p>	 <p>Legs ×4</p>
 <p>Computer Tray ×1</p>	 <p>Bridge Connector ×2</p>
 <p>Short Rail ×2</p>	 <p>Tag ×3</p>

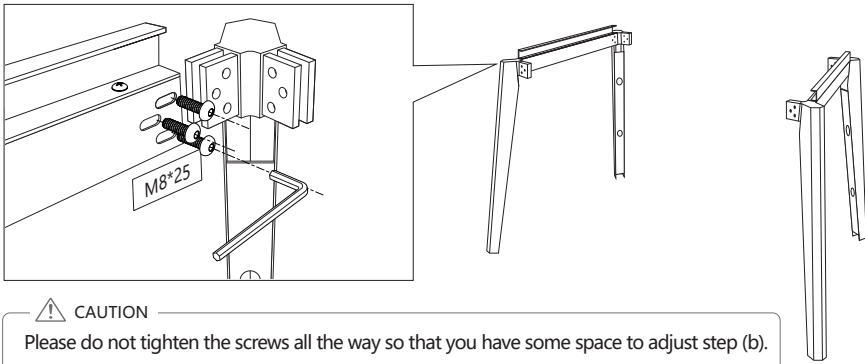
Screws Accessories

 <p>Hex key ×1</p>	 <p>Cross screwdriver ×1</p>
 <p>M8*25 Screws ×24</p>	 <p>M6*60 Screws ×4</p>
 <p>M6*35 Screws ×2</p>	 <p>Screw nut ×2</p>
 <p>M4*8 Screws ×12</p>	

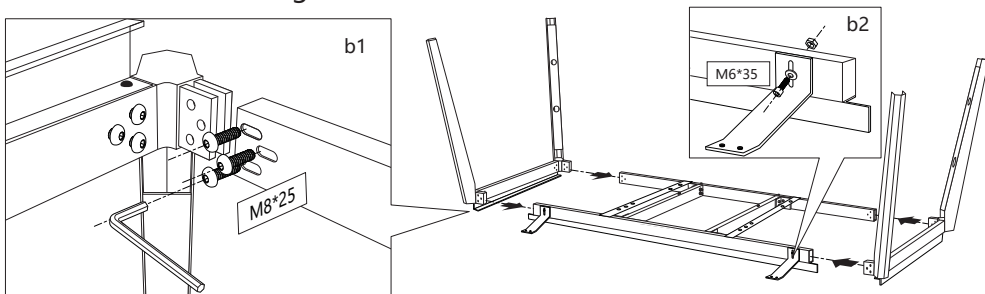
2.1 Installation Procedure

Q PQ Labs

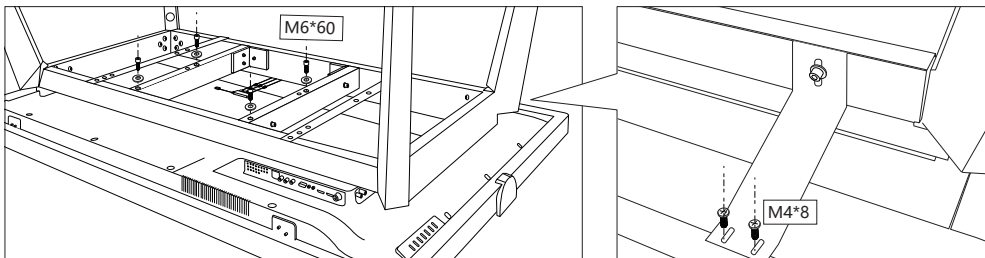
a. Assemble legs & short rails;



b. Plug the leg connector into the table fixture as shown below, and install the bridge connector to the base frame.



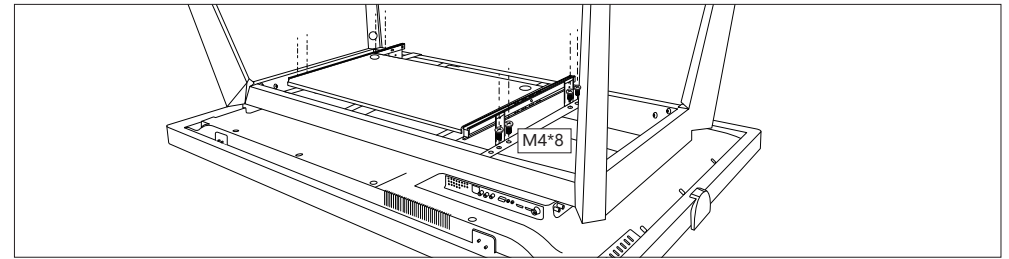
c. Place Touch Display back side up onto a work bench, Please install the full base frame to the VESA screw holes of the display with M6*60 screws; install the bridge connector from the full base frame to the back borde of the display. Tighten all screws at each corner.



CAUTION

Please cover work table with soft cover or surface to prevent screen scratches.

d. Install the computer tray.
(you may need to detach the computer first if you already installed the computer to your display)



2.2 Assembly Finished

Q PQ Labs

CAUTION

At least 2 people are required to flip the touch table back.

